

ENELTEC[®] brighten your ideas

Integrated LED High Bay Lights



BRIDGELUX[®]
EPISTAR

MW
MEAN WELL
LED DRIVER



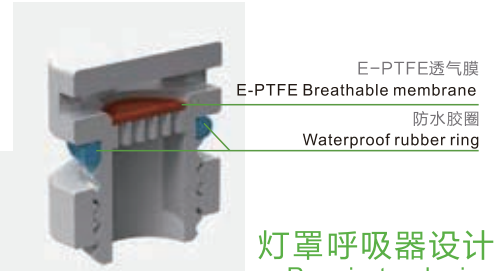
Application Areas

Apply to the vessel/ship big or small port, gymnasium, lighting engineering, square, golf courses, ships, airport, subway station, panoramic view, highway toll booth, exhibition hall, the lighting of building construction, gas stations, overpasses, outdoor billboards, and other lighting places.



www.eneltec-led.com

Core Technology



灯罩呼吸器设计 Respirator design

防水的同时又清除雾气，避免凝露，提升产品品质，延长使用寿命。
Waterproof design, eliminating mist, avoiding condensation, improving quality, extending the life span.

216° 可调角度 216° adjustable angle

13个支架调节点，角度可调节216°成灯照射角度随意变。

13 flexible positions makes project angle can be adjusted within 216°.



纯铜热管 Copper heatpipe

采用热管铆接鳍片散热技术，热管将光源散发的热量迅速的传导到鳍片上，热量迅速散去，已达到快速降低光源温度的效果，延长光源使用寿命。

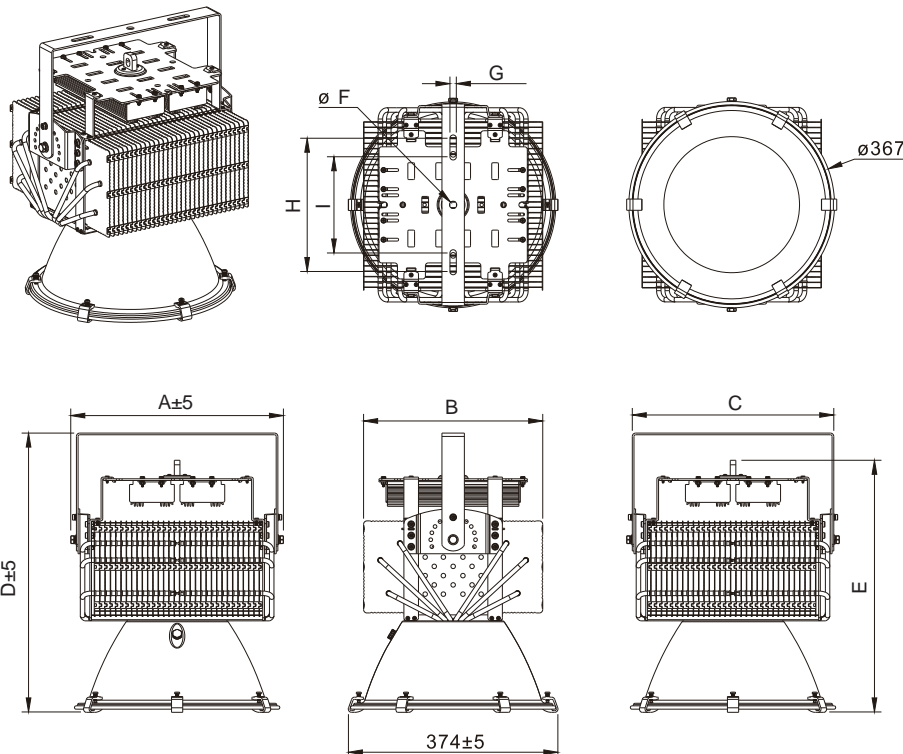
By riveting the heatpipe to the fins, the heatpipe can conduct heat rapidly from chips bottom to the fins, greatly lower down the temperature of light source, extending its life span.



反光罩反光率92% 92% reflective rate

反光罩反光角度62°，反光率高达92%。
Reflector's beam angle 62°，Reflective rate could reach up to 92%.

Dimension

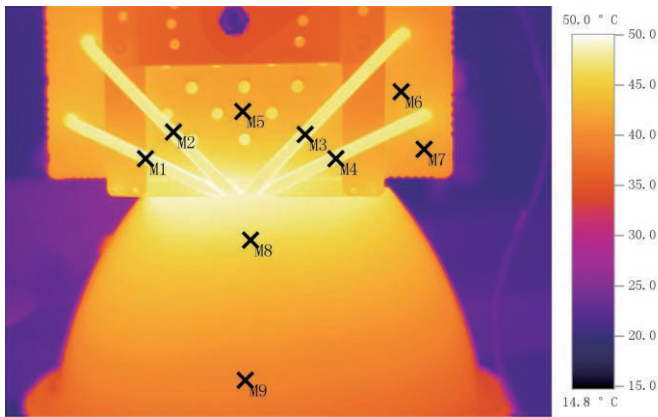


Product Dimension (mm)	Model						
	100W	120W	150W	200W	300W	400W	500W
A	246	266	323	266	323	323	380
B	260	260	260	260	260	320	320
C	246	246	303	246	303	303	360
D	459	467	459	467	459	497	497
E	410	410	410	410	410	448	448
F	13	13	13	13	13	13	13
G	10.5	10.5	11.5	10.5	11.5	11.5	11.5
H	209.5	209.5	237.5	209.5	237.5	237.5	237.5
I	140	140	171.5	140	171.5	171.5	171.5

Data

Model No.	ENHB-100WEP-03MW	ENHB-100WBR-03MW	ENHB-120WEP-03MW	ENHB-120WBR-03MW	ENHB-150WEP-03MW	ENHB-150WBR-03MW	ENHB-200WEP-03MW	ENHB-200WBR-03MW	ENHB-300WEP-03MW	ENHB-300WBR-03MW	ENHB-400WEP-03MW	ENHB-400WBR-03MW	ENHB-500WEP-03MW	ENHB-500WBR-03MW
Input Voltage	100-277VAC													
Frequency	50-60Hz													
Input Current	0.95A/115VAC 0.49A/230VAC		1.14A/115VAC 0.59A/230VAC		1.43A/115VAC 0.74A/230VAC		1.9A/115VAC 0.99A/230VAC		2.9A/115VAC 1.5A/230VAC		3.8A/115VAC 2.0A/230VAC		4.8A/115VAC 2.5A/230VAC	
Output Voltage	33-40V TYP:38V		33-40V TYP:38V		33-40V TYP:38V		45-51V TYP:46.5V		49-58V TYP:54V		50-57V TYP:54V		49-58V TYP:54V	
Output Current	2.64±0.10A		3.16±0.10A		3.95±0.10A		4.3±0.2A		5.5±0.2A		7.4±0.2A		9.2±0.2A	
Power Efficiency	>93%													
Power Factor	PF>0.98/±115VAC, PF>0.95/230VAC, PF>0.93/277VAC													
LED	EPISTAR 35mil	BRIDGELUX 45mil	EPISTAR 35mil	BRIDGELUX 45mil	EPISTAR 35mil	BRIDGELUX 45mil	EPISTAR 35mil	BRIDGELUX 45mil	EPISTAR 35mil	BRIDGELUX 45mil	EPISTAR 35mil	BRIDGELUX 45mil	EPISTAR 35mil	BRIDGELUX 45mil
LED Consumption (W)	100	100	120	120	150	150	200	200	300	300	400	400	460	460
System Consumption (W)	113±3	113±3	136±3	136±3	169±5	169±5	226±5	226±5	340±10	340±10	450±10	450±10	520±10	520±10
Lumen Output	8000	10000	9600	12000	12000	15000	16000	20000	24000	30000	32000	40000	36800	46000
Luminous Efficiency	80lm/W	100lm/W	80lm/W	100lm/W	80lm/W	100lm/W	80lm/W	100lm/W	80lm/W	100lm/W	80lm/W	100lm/W	80lm/W	100lm/W
CRI	Ra>75													
Beam Angle	25°/60°/90°													
Color Temperature	3200K / 3900K / 4500K / 5500K / 6500K													
Working Temperature	-30℃~+45℃													
Storage Temperature	-35℃~+60℃													
IP Grade	IP65													
Lumen Maintenance	70% (50,000Hrs)													
Material	1050 Aluminum						Aluminum + Copper tube							
Color of Lamp Shell	Black													

Heat Radiation Testing

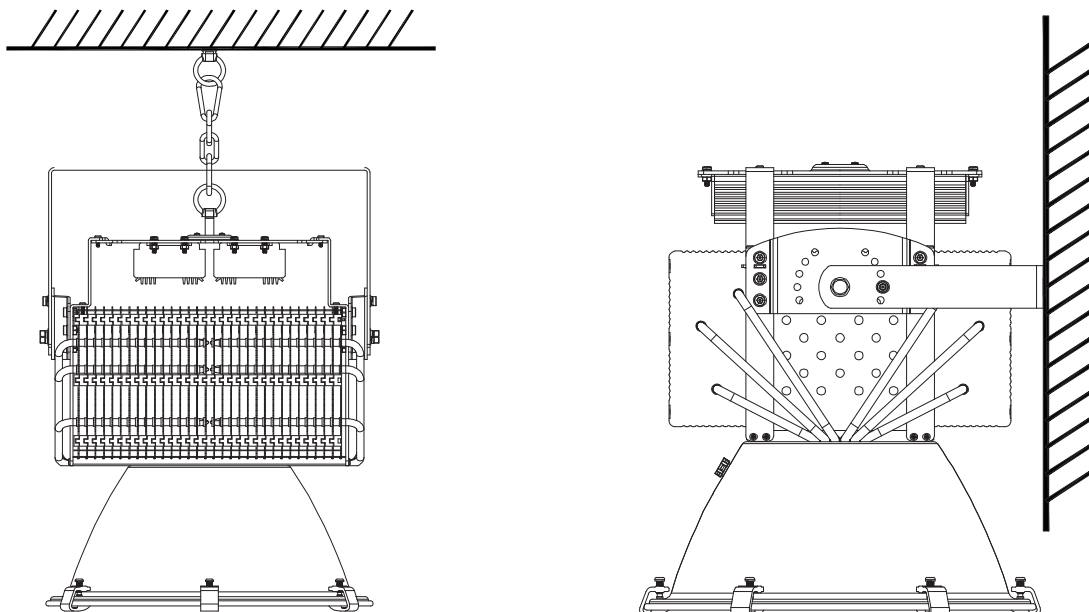


Radiance: 0.95
 Reflect Temperature [° C]: 35.0

Picture:

Testing Point	Temperature [° C]	Radiance	Reflect Temperature [° C]	Mark
M 1	48.1	0.95	26.0	Heat pipe
M 2	47.8	0.95	26.0	Heat pipe
M 3	47.5	0.95	26.0	Heat pipe
M 4	47.7	0.95	26.0	Heat pipe
M 5	42.6	0.95	26.0	Heatsink
M 6	42.1	0.95	26.0	Heatsink
M 7	41.7	0.95	26.0	Heatsink
M 8	46.3	0.95	26.0	Reflector
M 9	46.3	0.95	26.0	Reflector

Installation Introduction



● Packing

Model No.	ENHB-100WEP-03MW	ENHB-100WBR-03MW	ENHB-120WEP-03MW	ENHB-120WBR-03MW	ENHB-150WEP-03MW	ENHB-150WBR-03MW	ENHB-200WEP-03MW	ENHB-200WBR-03MW	ENHB-300WEP-03MW	ENHB-300WBR-03MW	ENHB-400WEP-03MW	ENHB-400WBR-03MW	ENHB-500WEP-03MW	ENHB-500WBR-03MW
Packing Dimension (mm)	1PC 465×465×545		1PC 465×465×545		1PC 465×465×545		1PC 465×465×545		1PC 465×465×545		1PC 490×490×590		1PC 490×490×590	
Net Weight/ Gross Weight (Kg)	1PC 6.5/9.5		1PC 7.0/10.2		1PC 7.8/11.2		1PC 7.0/10.2		1PC 7.5/10.5		1PC 10.8/15.3		1PC 11.5/16.2	

